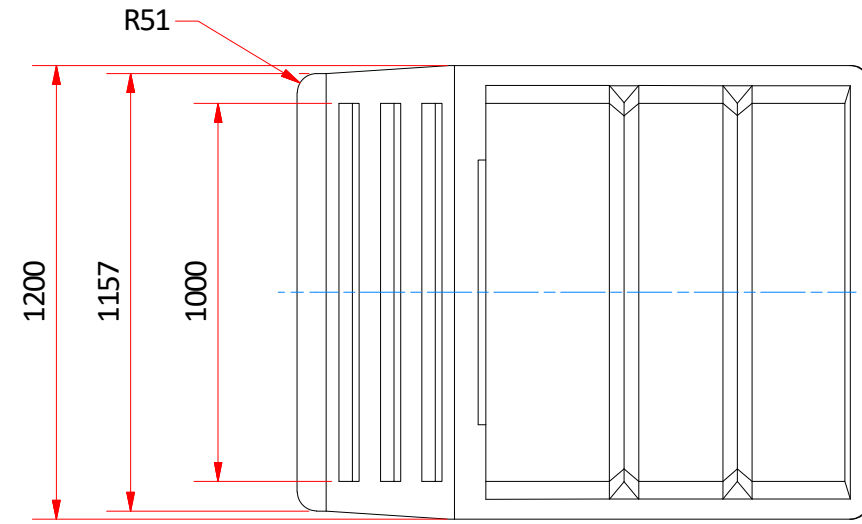
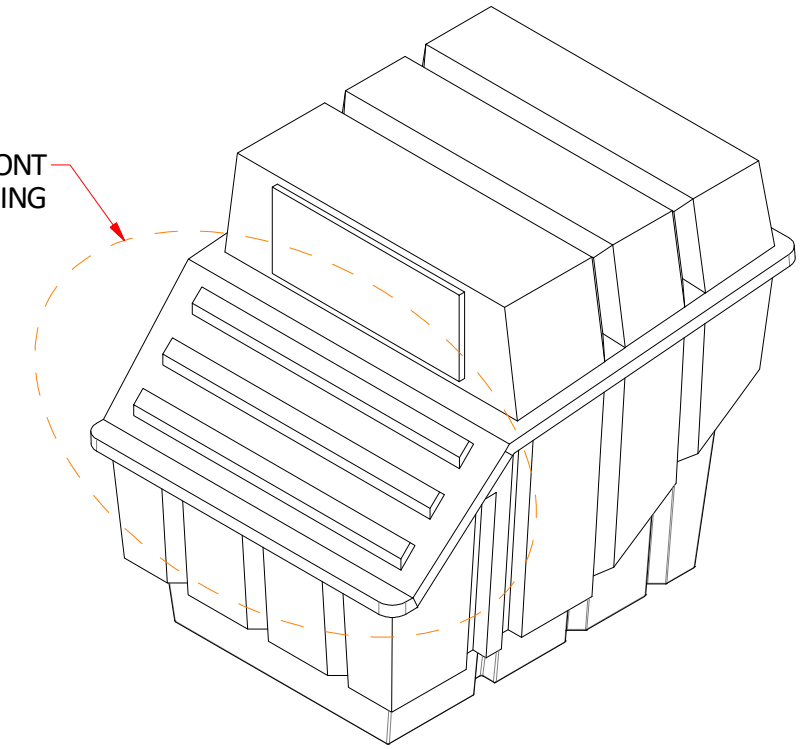


- NOTES:
 1. MATERIAL HDPE NOMINAL 6 mm WALL THICKNESS
 2. ALL DIMENSIONS SHOWN ARE EXTERNAL SIZES
 3. ALL FILLETS TO BE 5-6 mm U.N.O.
 4. THIS DRAWING SHOWS THE FINISHED COMPONENT
 NO SHRINKAGE ALLOWANCE ADDED
 5. ALL DIMENSIONS SHOWN IN BRACKETS ARE EXISTING

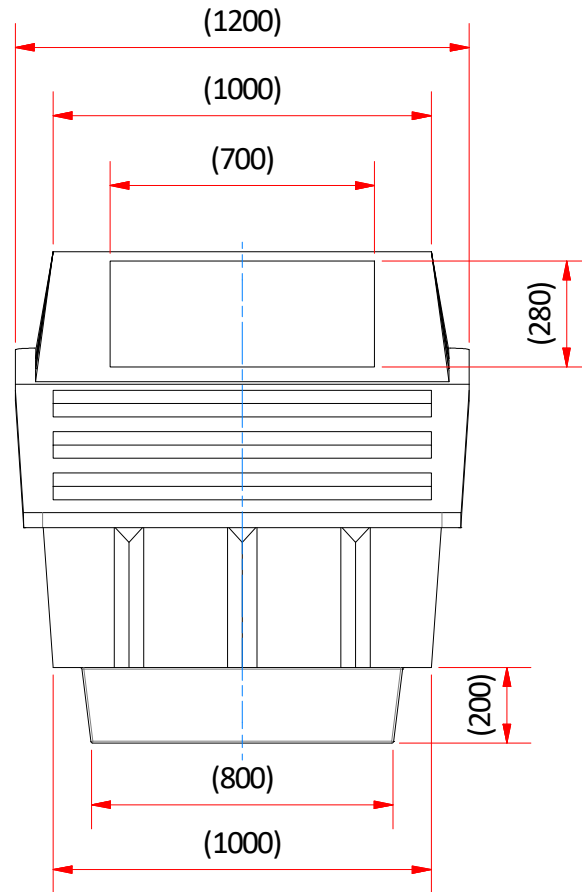


TOP VIEW (1:20)

MODIFIED FRONT COVER OPENING

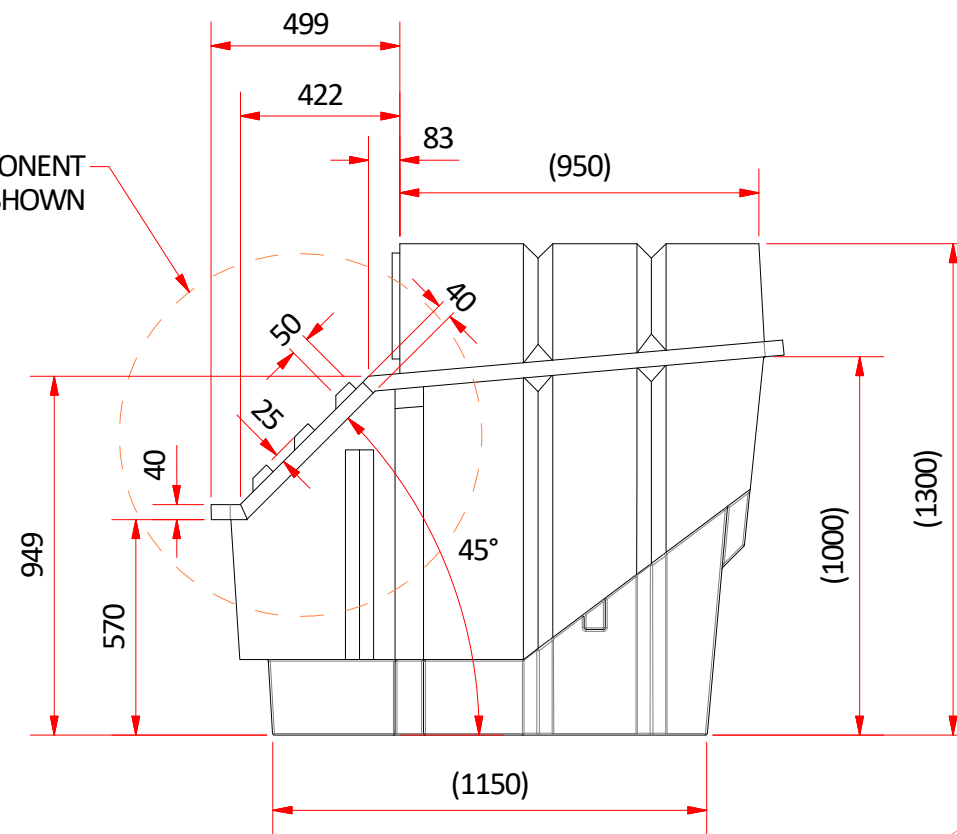


3D VIEW (1:20)



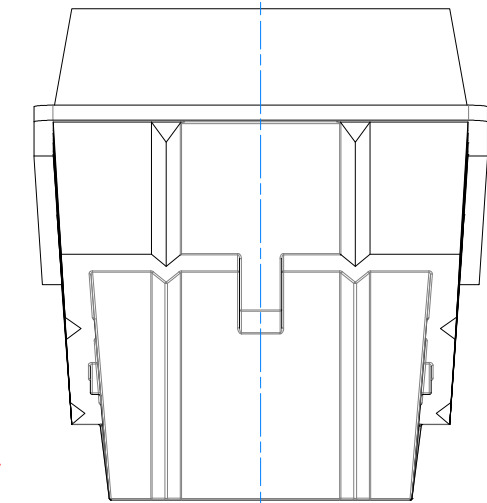
LH END VIEW (1:20)

MODIFY COMPONENT AS SHOWN



FRONT VIEW (1:20)

ISSUED FOR REVIEW ONLY



RH END VIEW (1:20)

REV	DESCRIPTION	INI.	DATE
A	FOR REVIEW	IMD	1/10/2020

REVISION HISTORY



Designed by	IMD	Date	1/10/2020	CLIENT:	ECOFLO WASTE WATER MANAGEMENT		A3
Checked by		Date		PROJECT:			
Approved by		Date		DWG TITLE:	CM8 TANK MODIFICATIONS		Sheet 1
IF IN DOUBT ASK DO NOT SCALE AS1100				JOB No:	DRG No:	3-015-00-01-MODIFIED	Rev A
ALL DIMENSIONS IN MM U.N.O.				CAD FILE: S:\projects\Neubau - Ecoflo\CMTank mods_220920\3-015-00-MODIFIED COMPONENT.idw			

THIRD ANGLE PROJECTION